

Service
Service
Service

Product Service Group CE Audio

Service Information

Already published Service Informations: A00-161 3139 785 22440

CHANGES DURING PRODUCTION

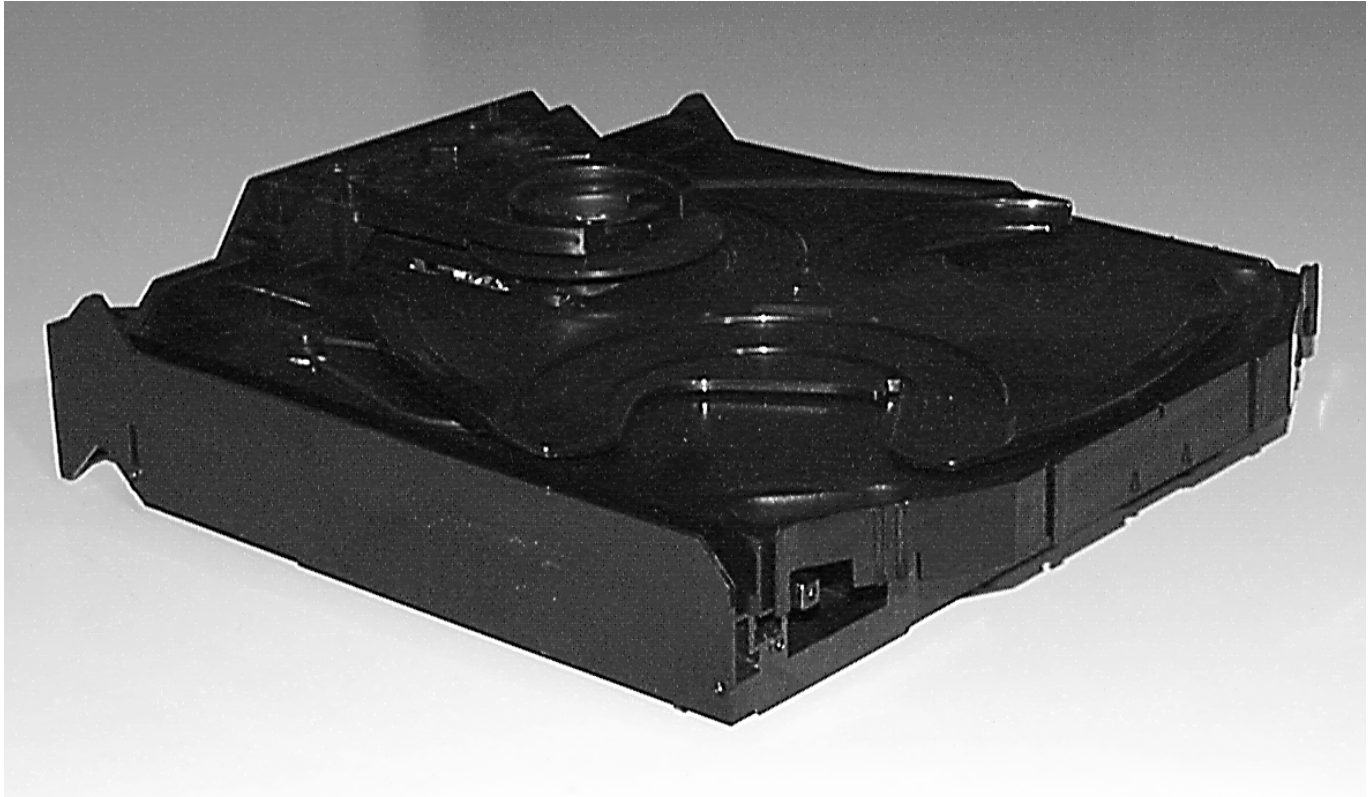
- * From production wk042 onwards, a new 3CDC-LC-MB-DA11 is introduced. It can be recognized by:
- a new CD Drive DA11T3C and bigger Pressure Ring
 - a new CD Board with 12NC 3103 303 34672 where the last digit is the pt no of the board.

To facilitate this changeover the μ Processor IC 7401 on the Front Board is changed to **9965 000 06741** (OTP equivalent) and can be recognized by printing mark "C10S52631".

New CDC Module including circuits, layout diagrams and electrical parts list are enclosed.

BLANK PAGE

DO NOT PRINT



3CDC-LC-MB-DA11 Module

(3 Disc Carousel Changer)

Layout stage .2

TABLE OF CONTENTS

Servicing Hints	10-2
Blockdiagram	10-5
Component Layout Main Board	10-6
Circuit Diagram part1	10-7
Component Layout Main Board	10-8
Circuit Diagram part2	10-9
Exploded View	10-10
Partslist	10-12



WARNING

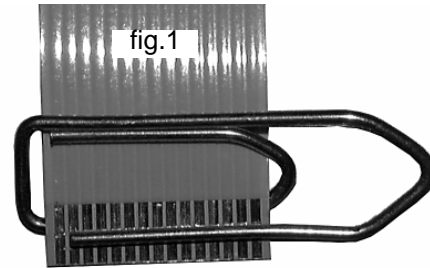
CHARGED CAPACITORS ON THE SERVO BOARD MAY DAMAGE THE CD DRIVE ELECTRONICS WHEN CONNECTING A NEW CDM MECHANISM. THAT'S WHY, BESIDES THE SAFETY MEASURES LIKE

- **SWITCH OFF POWER SUPPLY**
- **ESD PROTECTION**

ADDITIONAL ACTIONS MUST BE TAKEN BY THE REPAIR TECHNICIAN.

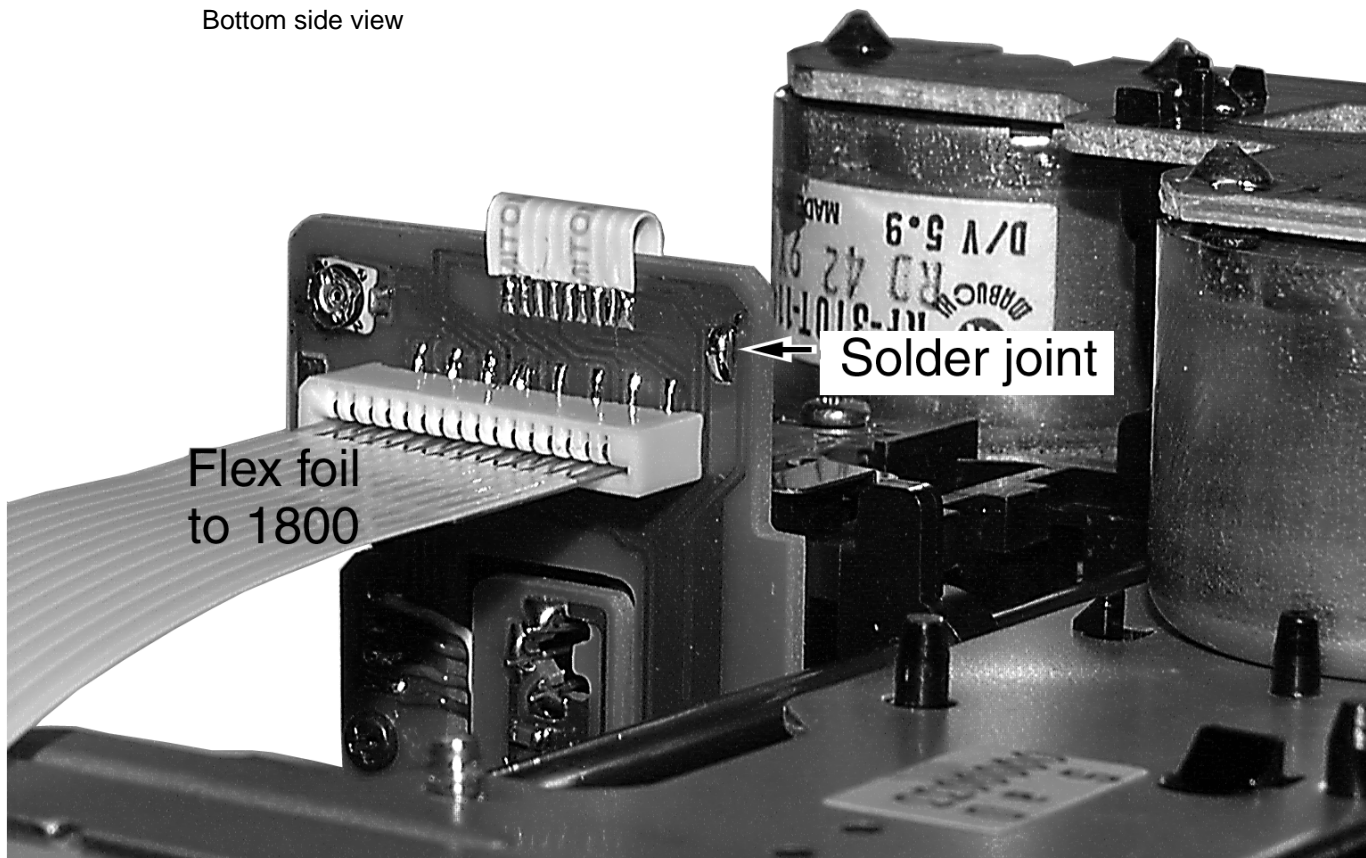
The following steps have to be done when replacing the CD mechanism:

1. Disconnect CD drive flexfoil from old CD drive
2. Connect paperclip to CD drive flexfoil to short-circuit flexfoil (fig.1)
3. Remove old CD drive
4. Remove short-circuit from flexfoil of CD drive
5. Connect flexfoil to new CD drive
6. Position new CD drive in its studs
7. Remove short-circuit from Laserunit

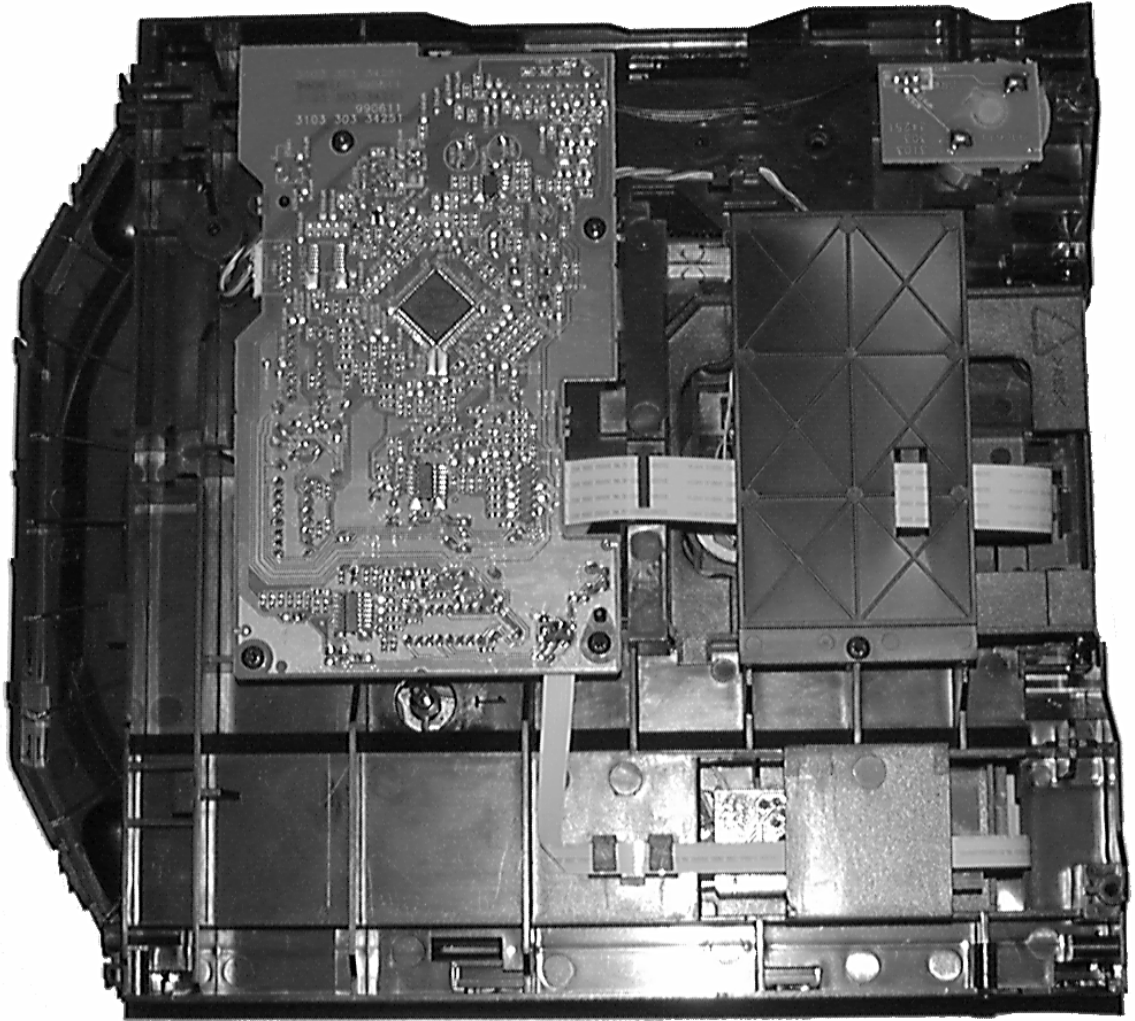


Attention: The laser diode of this CD drive is protected against ESD by a solder joint which shortcircuits the laserdiode to ground.
For proper functionality of the CD drive this solder joint must be removed **after** connection the drive to the set.

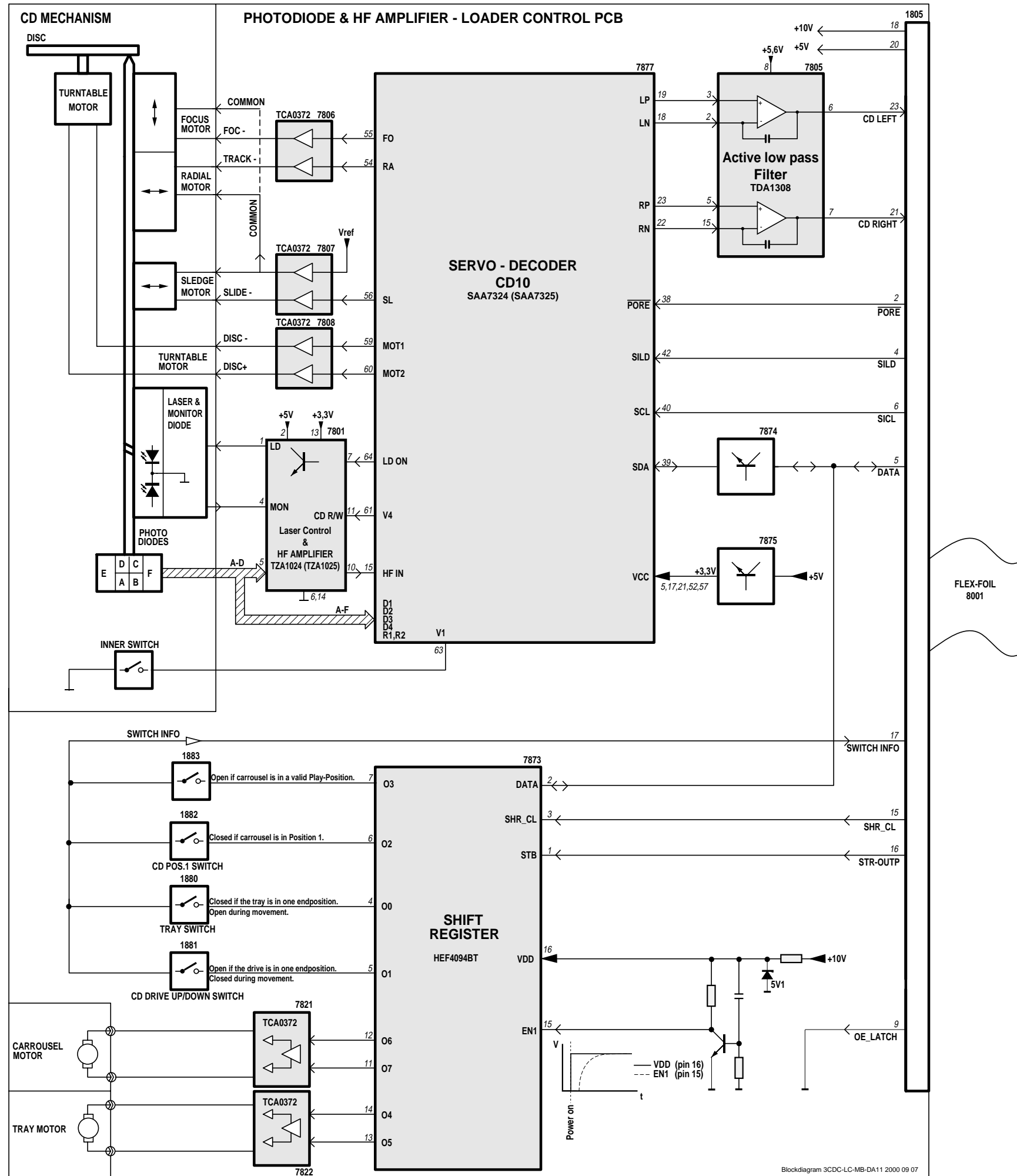
CD Drive
Bottom side view



Service Position

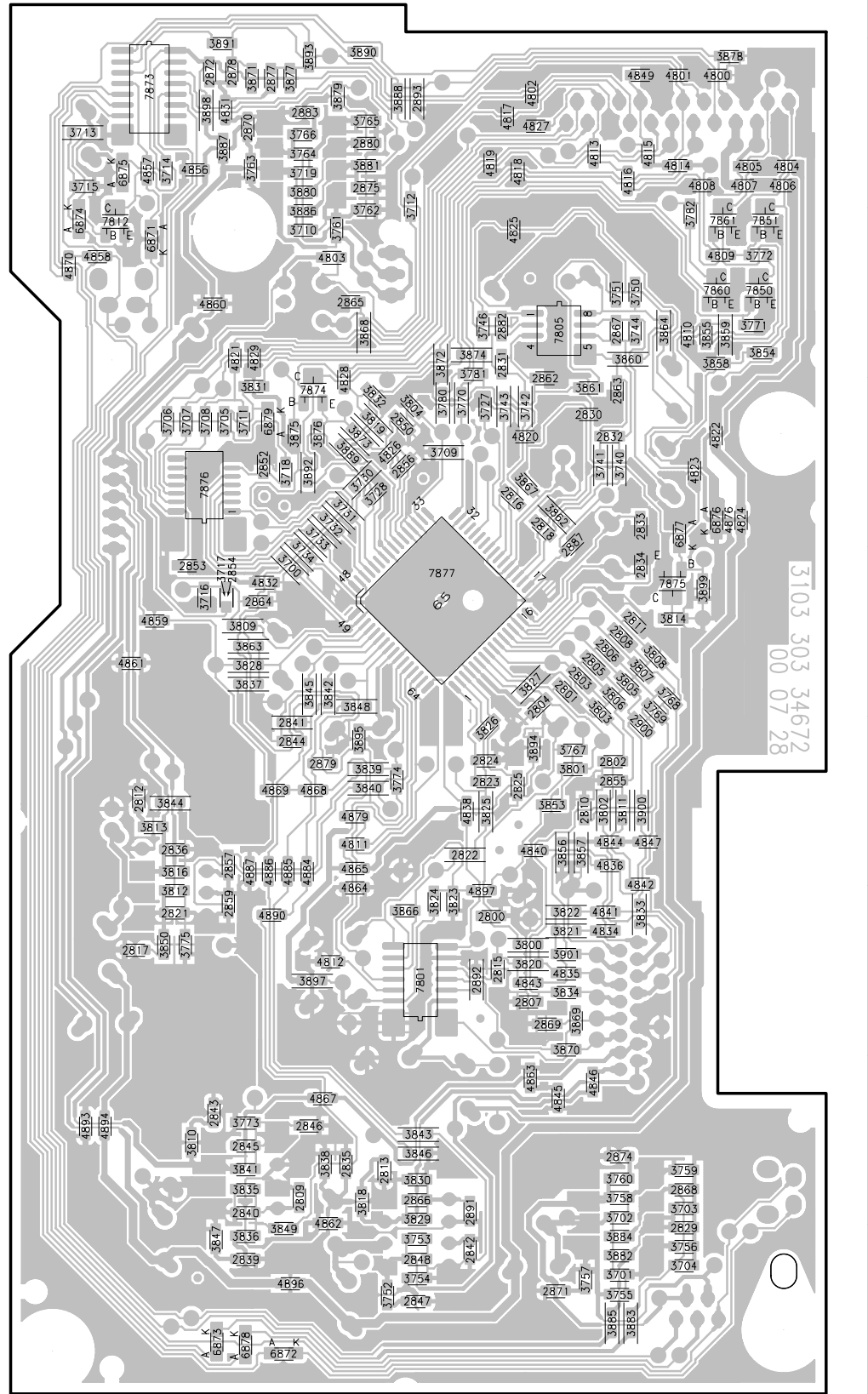


Technical Remarks



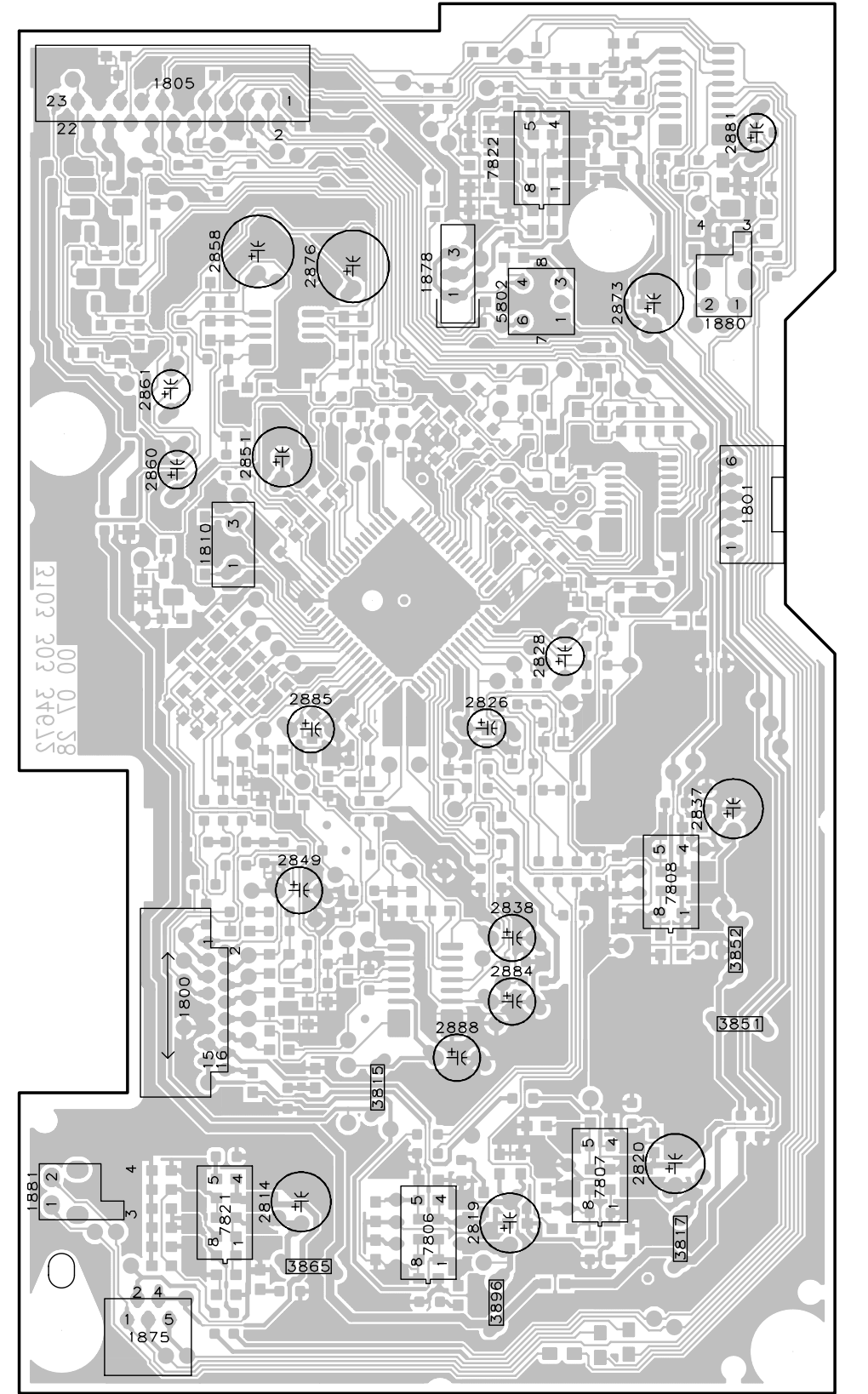
Mapping

3CDC-LC-MB Copperside view



Copperside			Componentside		
2800 F3	3746 B3	3880 A2	7860 B5	1800 F2	
2801 D4	3750 B4	3881 A3	7861 B5	1801 C5	
2802 E4	3751 B4	3882 H4	7873 A1	1805 A2	
2803 D4	3752 H3	3883 H4	7874 C2	1810 C2	
2804 D4	3753 H3	3884 H4	7875 D4	1875 H1	
2805 D4	3754 H3	3885 H4	7876 C2	1878 B3	
2806 D4	3755 H4	3886 B2	7877 D3	1880 B5	
2807 F4	3756 H4	3887 A2		1881 G1	
2808 D4	3757 H4	3888 A3		2814 G2	
2809 G2	3758 G4	3889 C2		2819 G3	
2810 E4	3759 G4	3890 A3		2820 G4	
2811 D4	3760 G4	3891 A2		2826 D3	
2812 E1	3761 B2	3892 C2		2828 D4	
2813 G3	3762 B3	3893 A2		2837 E5	
2815 F3	3763 A2	3894 E4		2838 F4	
2816 C3	3764 A2	3895 E3		2849 E2	
2817 F1	3765 A3	3897 F2		2851 C2	
2818 C4	3766 A2	3898 A2		2858 B2	
2821 F1	3767 E4	3899 D5		2860 C1	
2822 E3	3768 D4	3900 E4		2861 C1	
2823 E3	3769 D4	3901 F4		2873 B4	
2824 E3	3770 C3	4800 A5		2876 B2	
2825 E3	3771 B5	4801 A4		2881 A5	
2829 H4	3772 B5	4802 A4		2884 F4	
2830 C4	3773 G2	4803 B2		2885 D2	
2831 B3	3774 E3	4804 A5		2888 F3	
2832 C4	3775 F2	4805 A5		3815 G3	
2833 C4	3780 C3	4806 A5		3817 H5	
2834 D4	3781 B3	4807 A5		3851 F5	
2835 G2	3782 B5	4808 A5		3852 F5	
2836 E1	3800 F4	4809 B5		3865 H2	
2839 H2	3801 E4	4810 B4		3896 H3	
2840 G2	3802 E4	4811 E3		5802 B4	
2841 E2	3803 D4	4812 F2		7806 H3	
2842 H3	3804 C3	4813 A4		7807 G4	
2843 G2	3805 D4	4814 A4		7808 F5	
2844 E2	3806 D4	4815 A4		7821 G2	
2845 G2	3807 D4	4816 A4		7822 A3	
2846 G2	3808 D4	4817 A3			
2847 H3	3809 D2	4818 A3			
2848 H3	3810 G2	4819 A3			
2850 C3	3811 F4	4820 C4			
2852 C2	3812 F1	4821 B2			
2853 D2	3813 E1	4822 C5			
2854 D2	3814 D4	4823 C5			
2855 E4	3816 E1	4824 C5			
2856 C3	3818 G3	4825 B3			
2857 E2	3819 C3	4826 C3			
2859 F2	3820 F4	4827 A4			
2862 C4	3821 F4	4828 C2			
2863 C4	3822 F4	4829 B2			
2864 D2	3823 F3	4831 A2			
2865 B3	3824 F3	4832 D2			
2866 G3	3825 E3	4834 F4			
2867 B4	3826 E3	4835 F4			
2868 G4	3827 D4	4836 E4			
2869 F4	3828 D2	4838 E3			
2870 A2	3829 G3	4840 E4			
2871 H4	3830 G3	4841 F4			
2872 A2	3831 C2	4842 E4			
2874 G4	3832 C3	4843 F4			
2875 A3	3833 F4	4844 E4			
2877 A2	3834 F4	4845 G4			
2878 A2	3835 G2	4846 G4			
2879 E2	3836 H2	4847 E4			
2880 A3	3837 D2	4849 A4			
2882 B3	3838 G2	4856 A2			
2883 A2	3839 E3	4857 A1			
2887 C4	3840 E3	4858 B1			
2891 G3	3841 G2	4859 D1			
2892 F3	3842 D2	4860 B2			
2893 A3	3843 G3	4861 D1			
2900 E4	3844 E1	4862 G2			
3700 D2	3845 D2	4863 G4			
3701 H4	3846 G3	4864 F3			
3702 G4	3847 H2	4865 E3			
3703 G4	3848 D3	4867 G2			
3704 H4	3849 H2	4868 E2			
3705 C2	3850 F1	4869 E2			
3706 C1	3853 E4	4870 B1			
3707 C2	3854 B5	4876 C5			
3708 C2	3855 B5	4879 E3			
3709 C3	3856 E4	4884 E2			
3710 B2	3857 E4	4885 E2			
3711 C2	3858 B5	4886 E2			
3712 A3	3859 B5	4887 E2			
3713 A1	3860 B4	4890 F2			
3714 A1	3861 C4	4893 G1			
3715 A1	3862 C4	4894 G1			
3716 D2	3863 D2	4896 H2			
3717 D2	3864 B4	4897 F3			
3718 C2	3866 F3	6871 B1			
3719 A2	3867 C4	6872 H2			
3727 C3	3868 B3	6873 H2			
3728 C3	3869 F4	6874 B1			
3730 C3	3870 F4	6875 A1			
3731 C2	3871 A2	6876 C5			
3732 C2	3872 B3	6877 C4			
3733 C2	3873 C3	6878 H2			
3734 D2	3874 B3	6879 C2			
3740 C4	3875 C2	7801 F3			
3741 C4	3876 C2	7805 B4			
3742 C4	3877 A2	7812 B1			
3743 C3	3878 A5	7850 B5			
3744 B4	3879 A2	7851 B5			

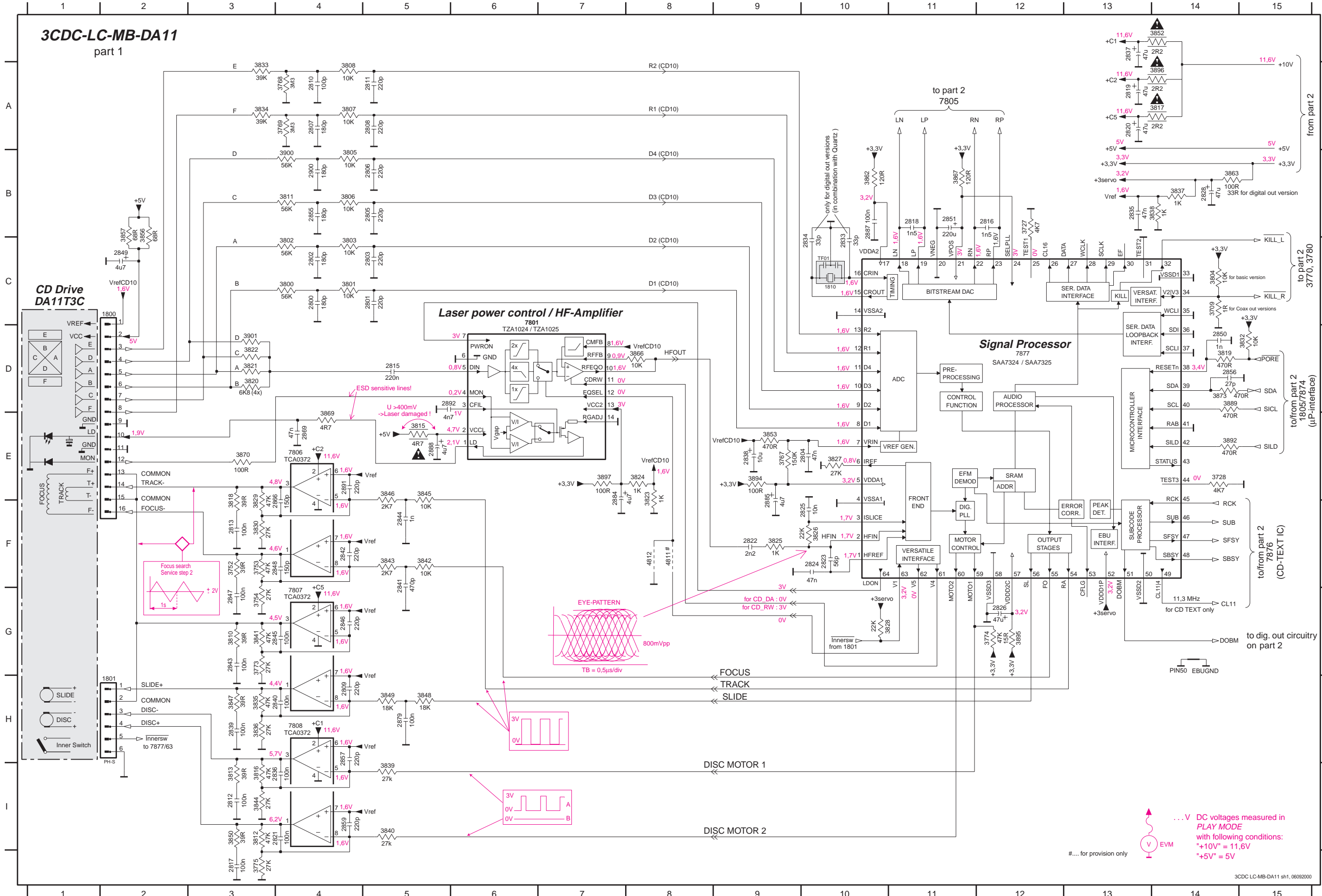
3CDC-LC-MB Componentside view



This assembly drawing shows a summary of all possible versions. For components used in a specific version see schematic diagram respectively partslist.

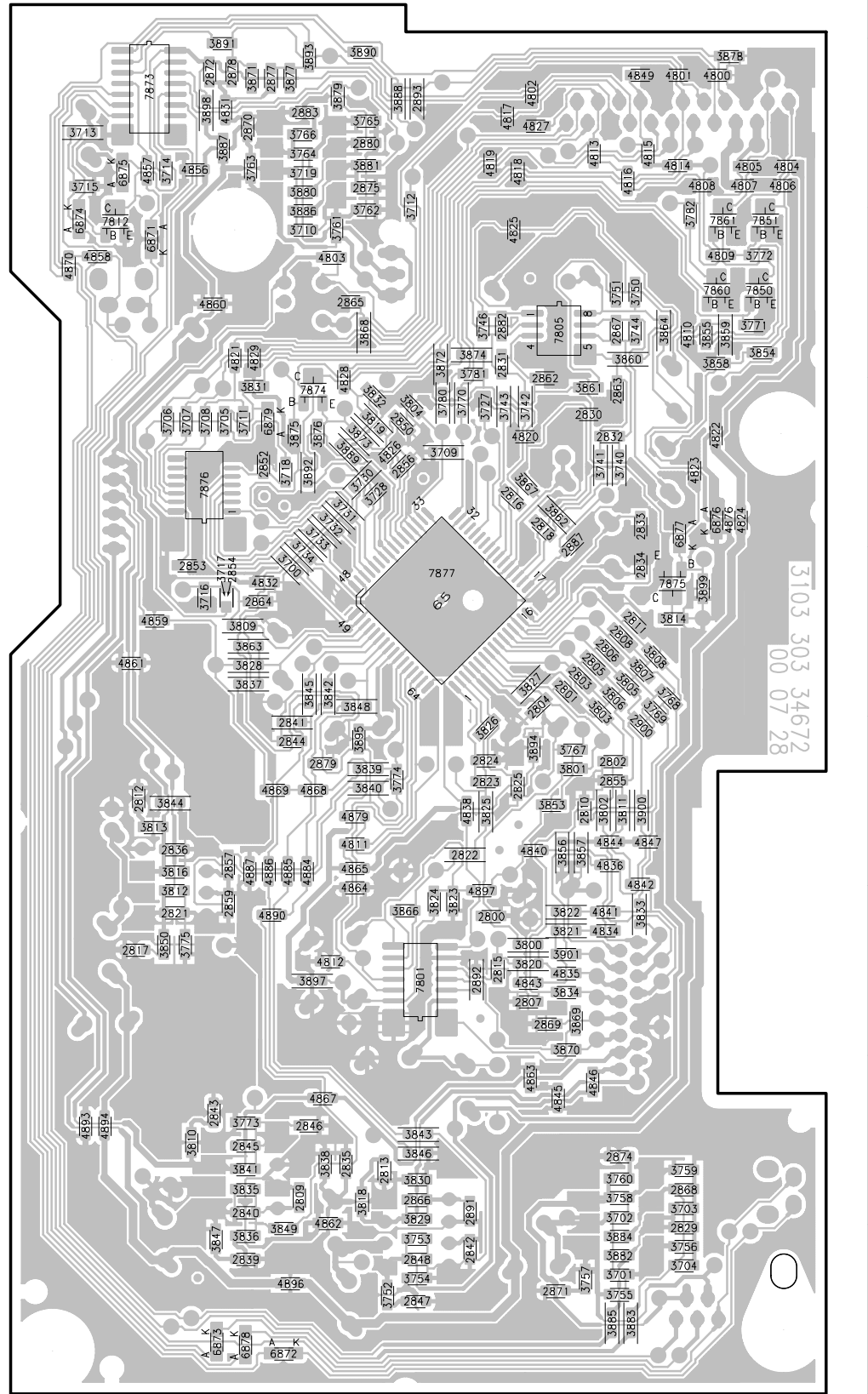
This assembly drawing shows a summary of all possible versions. For components used in a specific version see schematic diagram respectively partslist.

1800 D1 2801 C5 2805 B5 2809 H4 2813 F3 2818 B11 2822 F9 2826 G12 2835 B13 2839 H3 2843 G3 2847 G3 2851 B11 2859 I4 2864 E7 2891 E4 3727 B12 3754 G3 3773 G3 3801 C4 3805 B4 3810 G3 3815 E5 3819 D14 3823 E8 3827 E10 3832 D15 3836 H3 3840 I5 3844 I3 3848 H5 3853 E9 3863 B14 3870 E3 3894 E9 3900 B3 7801 E7 7877 D12
 1801 G1 2802 C4 2806 B5 2810 A4 2815 D5 2819 A13 2823 F10 2828 B14 2836 I4 2840 H4 2844 F5 2848 F4 2855 B4 2866 F4 2868 F9 2892 D5 3728 E14 3754 G3 3774 G12 3802 C4 3806 B4 3811 B4 3816 I3 3819 D14 3823 E8 3827 E10 3832 D15 3836 H3 3840 I5 3844 I3 3848 H5 3853 E9 3863 B14 3870 E3 3894 E9 3900 B3 7801 E7 7806 E4
 1810 C10 2803 C5 2807 A4 2811 A5 2816 B12 2820 A13 2824 F10 2833 C10 2837 A13 2841 G5 2845 G4 2849 C2 2856 D14 2869 E4 2887 B10 2900 B4 3752 F3 3768 A4 3775 I3 3803 C4 3807 A4 3812 I3 3817 A14 3821 D3 3825 F10 3829 F3 3834 A3 3838 B14 3842 F5 3846 E5 3850 I3 3852 A14 3857 C2 3867 B11 3889 D14 3896 A14 4811 F8 7807 G4 7808 H4
 2800 C4 2804 E10 2808 A5 2812 I3 2817 I3 2821 I4 2825 F10 2834 C10 2838 E8 2842 F4 2846 G4 2850 D14 2857 H4 2879 H5 2888 E5 3709 C14 3753 F3 3769 A4 3800 C4 3804 C14 3808 A4 3813 I3 3818 F3 3822 D3 3826 F9 3830 F3 3835 H3 3839 I5 3843 F5 3847 H3 3852 A14 3856 C2 3866 D8 3873 D14 3895 G12 3901 D3 7806 E4 7807 G4 7808 H4



... V DC voltages measured in PLAY MODE with following conditions: "+10V" = 11.6V "+5V" = 5V

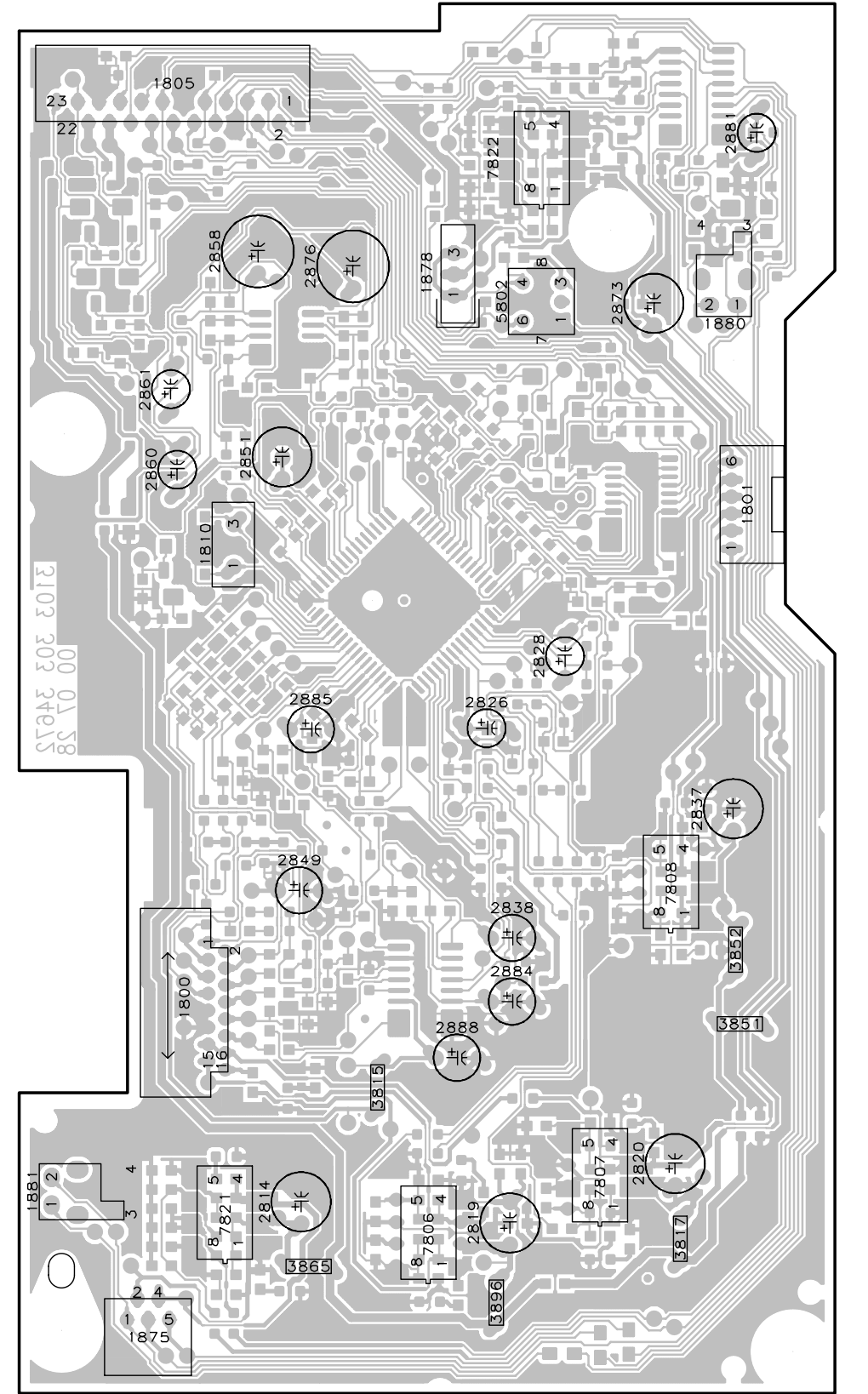
3CDC-LC-MB Copperside view



This assembly drawing shows a summary of all possible versions. For components used in a specific version see schematic diagram respectively partslist.

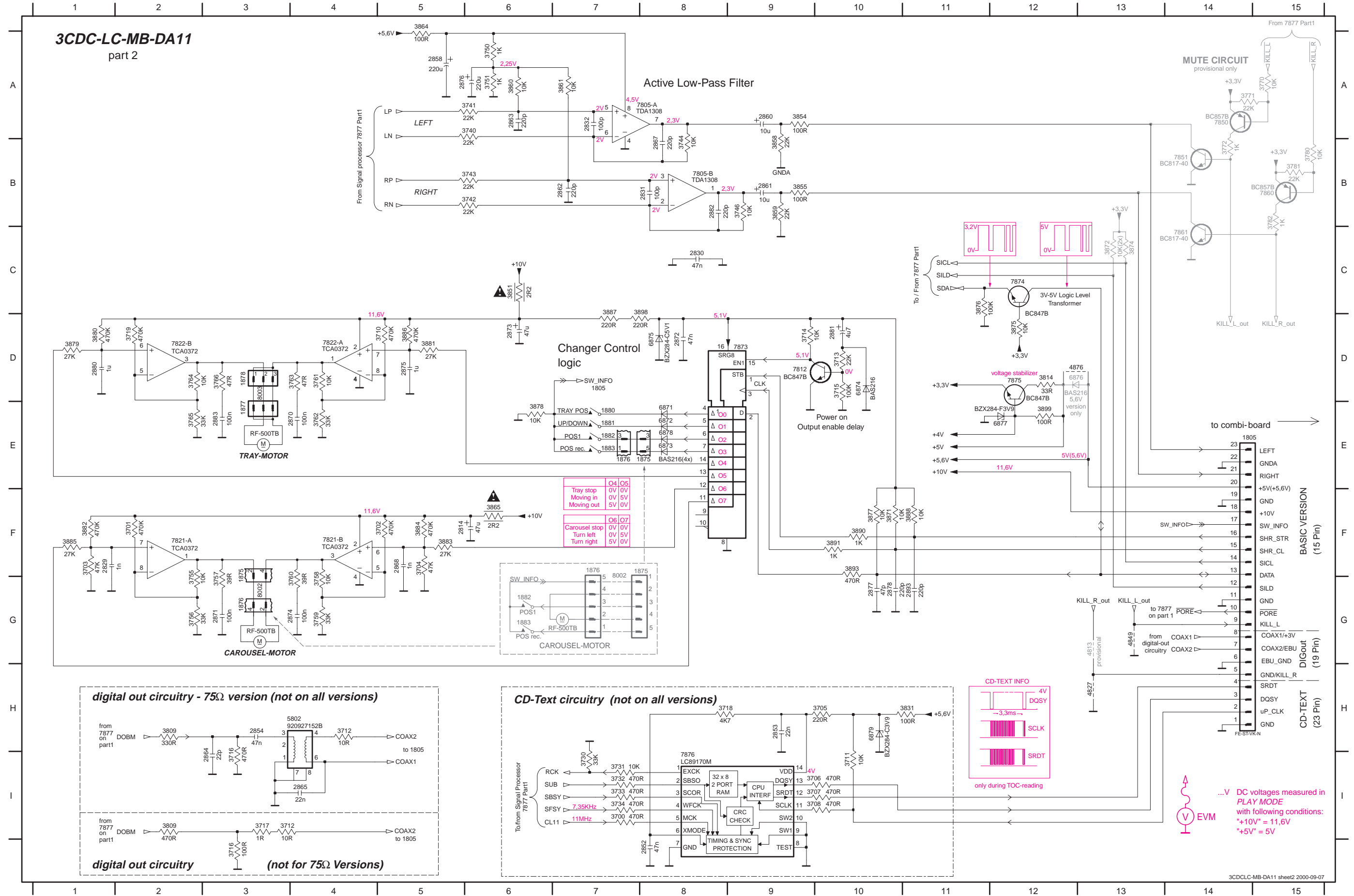
Copperside			Componentside		
2800 F3	3746 B3	3880 A2	7860 B5	1800 F2	
2801 D4	3750 B4	3881 A3	7861 B5	1801 C5	
2802 E4	3751 B4	3882 H4	7873 A1	1805 A2	
2803 D4	3752 H3	3883 H4	7874 C2	1810 C2	
2804 D4	3753 H3	3884 H4	7875 D4	1875 H1	
2805 D4	3754 H3	3885 H4	7876 C2	1878 B3	
2806 D4	3755 H4	3886 B2	7877 D3	1880 B5	
2807 F4	3756 H4	3887 A2		1881 G1	
2808 D4	3757 H4	3888 A3		2814 G2	
2809 G2	3758 G4	3889 C2		2819 G3	
2810 E4	3759 G4	3890 A3		2820 G4	
2811 D4	3760 G4	3891 A2		2826 D3	
2812 E1	3761 B2	3892 C2		2828 D4	
2813 G3	3762 B3	3893 A2		2837 E5	
2815 F3	3763 A2	3894 E4		2838 F4	
2816 C3	3764 A2	3895 E3		2849 E2	
2817 F1	3765 A3	3897 F2		2851 C2	
2818 C4	3766 A2	3898 A2		2858 B2	
2821 F1	3767 E4	3899 D5		2860 C1	
2822 E3	3768 D4	3900 E4		2861 C1	
2823 E3	3769 D4	3901 F4		2873 B4	
2824 E3	3770 C3	4800 A5		2876 B2	
2825 E3	3771 B5	4801 A4		2881 A5	
2829 H4	3772 B5	4802 A4		2884 F4	
2830 C4	3773 G2	4803 B2		2885 D2	
2831 B3	3774 E3	4804 A5		2888 F3	
2832 C4	3775 F2	4805 A5		3815 G3	
2833 C4	3780 C3	4806 A5		3817 H5	
2834 D4	3781 B3	4807 A5		3851 F5	
2835 G2	3782 B5	4808 A5		3852 F5	
2836 E1	3800 F4	4809 B5		3865 H2	
2839 H2	3801 E4	4810 B4		3896 H3	
2840 G2	3802 E4	4811 E3		5802 B4	
2841 E2	3803 D4	4812 F2		7806 H3	
2842 H3	3804 C3	4813 A4		7807 G4	
2843 G2	3805 D4	4814 A4		7808 E5	
2844 E2	3806 D4	4815 A4		7821 G2	
2845 G2	3807 D4	4816 A4		7822 A3	
2846 G2	3808 D4	4817 A3			
2847 H3	3809 D2	4818 A3			
2848 H3	3810 G2	4819 A3			
2850 C3	3811 E4	4820 C4			
2852 C2	3812 F1	4821 B2			
2853 D2	3813 E1	4822 C5			
2854 D2	3814 D4	4823 C5			
2855 E4	3816 E1	4824 C5			
2856 C2	3818 G3	4825 B3			
2857 E2	3819 C3	4826 C3			
2859 F2	3820 F4	4827 A4			
2862 C4	3821 F4	4828 C2			
2863 C4	3822 F4	4829 B2			
2864 D2	3823 F3	4831 A2			
2865 B3	3824 F3	4832 D2			
2866 G3	3825 E3	4834 F4			
2867 B4	3826 E3	4835 F4			
2868 G4	3827 D4	4836 E4			
2869 F4	3828 D2	4838 E3			
2870 A2	3829 G3	4840 F4			
2871 H4	3830 G3	4841 F4			
2872 A2	3831 C2	4842 E4			
2874 G4	3832 C3	4843 F4			
2875 A3	3833 F4	4844 E4			
2877 A2	3834 F4	4845 G4			
2878 A2	3835 G2	4846 G4			
2879 E2	3836 H2	4847 E4			
2880 A3	3837 D2	4849 A4			
2882 B3	3838 G2	4856 A2			
2883 A2	3839 E3	4857 A1			
2887 C4	3840 E3	4858 B1			
2891 G3	3841 G2	4859 D1			
2892 F3	3842 D2	4860 B2			
2893 A3	3843 G3	4861 D1			
2900 E4	3844 E1	4862 G2			
3700 D2	3845 D2	4863 G4			
3701 H4	3846 G3	4864 F3			
3702 G4	3847 H2	4865 E3			
3703 G4	3848 D3	4867 G2			
3704 H4	3849 H2	4868 E2			
3705 C2	3850 F1	4869 E2			
3706 C1	3853 F4	4870 B1			
3707 C2	3854 B5	4876 C5			
3708 C2	3855 B5	4879 E3			
3709 C3	3856 E4	4884 E2			
3710 B2	3857 E4	4885 E2			
3711 C2	3858 B5	4886 E2			
3712 A3	3859 B5	4887 E2			
3713 A1	3860 B4	4890 F2			
3714 A1	3861 C4	4893 G1			
3715 A1	3862 C4	4894 G1			
3716 D2	3863 D2	4896 H2			
3717 D2	3864 B4	4897 F3			
3718 C2	3866 F3	6871 B1			
3719 A2	3867 C4	6872 H2			
3727 C3	3868 B3	6873 H2			
3728 C3	3869 F4	6874 B1			
3730 C3	3870 F4	6875 A1			
3731 C2	3871 A2	6876 C5			
3732 C2	3872 B3	6877 C4			
3733 C2	3873 C3	6878 H2			
3734 D2	3874 B3	6879 C2			
3740 C4	3875 C2	7801 F3			
3741 C4	3876 C2	7805 B4			
3742 C4	3877 A2	7812 B1			
3743 C3	3878 A5	7850 B5			
3744 B4	3879 A2	7851 B5			

3CDC-LC-MB Componentside view



This assembly drawing shows a summary of all possible versions. For components used in a specific version see schematic diagram respectively partslist.

1805	E14	1880	E7	2831	B8	2861	B9	2870	E4	2877	G10	3372	C13	3705	H10	3713	D10	3730	I7	3743	B6	3757	G3	3764	D2	3781	B15	3855	B9	3871	F10	3881	D5	3888	F11	4827	H13	6874	D10	7805-B	B8	7851	B14
1850	G3	1881	E7	2832	A7	2862	B7	2871	G3	2878	G10	3374	C13	3706	I10	3714	D9	3732	I7	3744	B8	3758	G4	3765	E2	3782	B15	3858	B9	3875	D12	3882	F1	3890	F10	4849	G13	6875	D8	7812	D9	7860	B15
1875	E8	1882	E7	2852	I8	2863	A6	2872	D8	2880	D1	3700	I7	3707	I10	3715	D10	3733	I7	3746	B9	3759	G4	3766	D3	3809	H2	3859	B9	3876	C11	3883	F5	3891	F10	4876	D12	6876	D12	7821-A	F2	7861	C14
1876	E7	1883	E7	2853	H9	2864	I3	2873	D6	2881	D10	3701	F2	3708	I10	3716	I3	3734	I7	3750	A6	3760	G4	3770	A15	3814	D12	3860	A6	3877	F10	3884	F5	3893	F10	5802	H4	6877	E12	7821-B	F4	7873	D9
1877	E3	2814	F6	2854	H3	2865	I4	2874	G4	2882	B8	3702	F5	3710	D5	3718	H8	3740	A6	3751	A6	3761	G4	3771	A14	3831	H11	3861	A7	3878	E6	3885	F1	3898	D7	6871	E8	6878	E8	7822-A	D4	7874	C12
1878	D3	2829	F2	2858	A5	2867	B8	2875	D5	2883	E3	3703	F1	3711	I10	3719	D2	3741	A6	3755	G2	3762	E4	3772	B14	3851	C6	3864	A5	3879	D1	3886	D5	3899	E12	6872	E8	6879	H10	7822-B	D2	7875	D12
1878	G3	2830	C8	2860	A9	2868	F5	2876	A6	2893	G11	3704	F5	3712	H4	3730	I7	3742	B6	3756	G2	3763	D4	3780	B15	3854	A9	3865	F6	3880	D1	3887	D7	4813	G13	6873	E8	7805-A	A7	7850	A14	7876	I8



EXPLODED VIEW (3CDC-LC-DA11 MODULE)

MECHANICAL PARTS Loader → this page

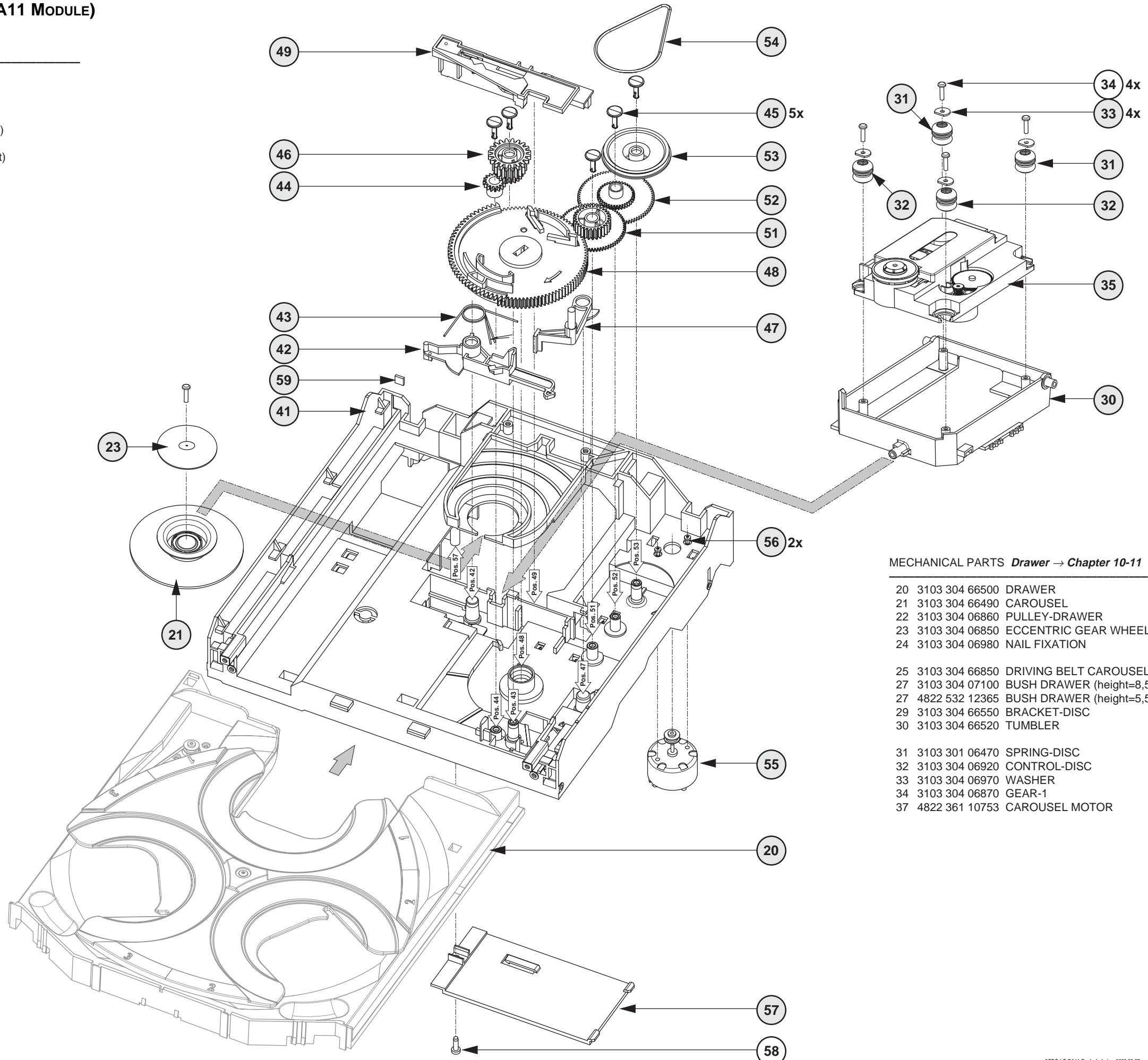
- 20 3103 304 66500 DRAWER
- 21 3140 114 29070 PRESSURE RING-DA11
- 23 3140 111 21270 METAL RING-DA11
- 30 3103 304 66560 SUPPORT
- 31 4822 529 10386 DAMPER - RUBBER (Rear)

- 32 4822 529 10387 DAMPER - RUBBER (Front)
- 33 3103 304 06970 WASHER
- 35 3103 309 05310 CD DRIVE DA11T3C
- 41 3103 304 66480 FRAME
- 42 3103 304 66540 BRACKET-GUIDING

- 43 3103 301 06460 SPRING-GUIDING
- 44 3103 304 06890 GEAR-3
- 45 3103 304 06980 NAIL FIXATION
- 46 3103 304 06880 GEAR-2
- 47 3103 304 66530 BRACKET-LOAD

- 48 3103 304 06910 CAM
- 49 3103 304 66510 GUIDING
- 51 3103 304 06900 GEAR-4
- 52 3103 304 06870 GEAR-1
- 53 3103 304 06960 PULLEY-FRAME

- 54 3103 304 66910 DRIVING-BELT-DRAWER
- 55 4822 361 10753 TRAY MOTOR
- 56 4822 502 12548 SCREW M2,6X3,5
- 57 3103 304 69880 COVER-DA11
- 59 4822 466 12146 RUBBER



X spare part
Y non spare part

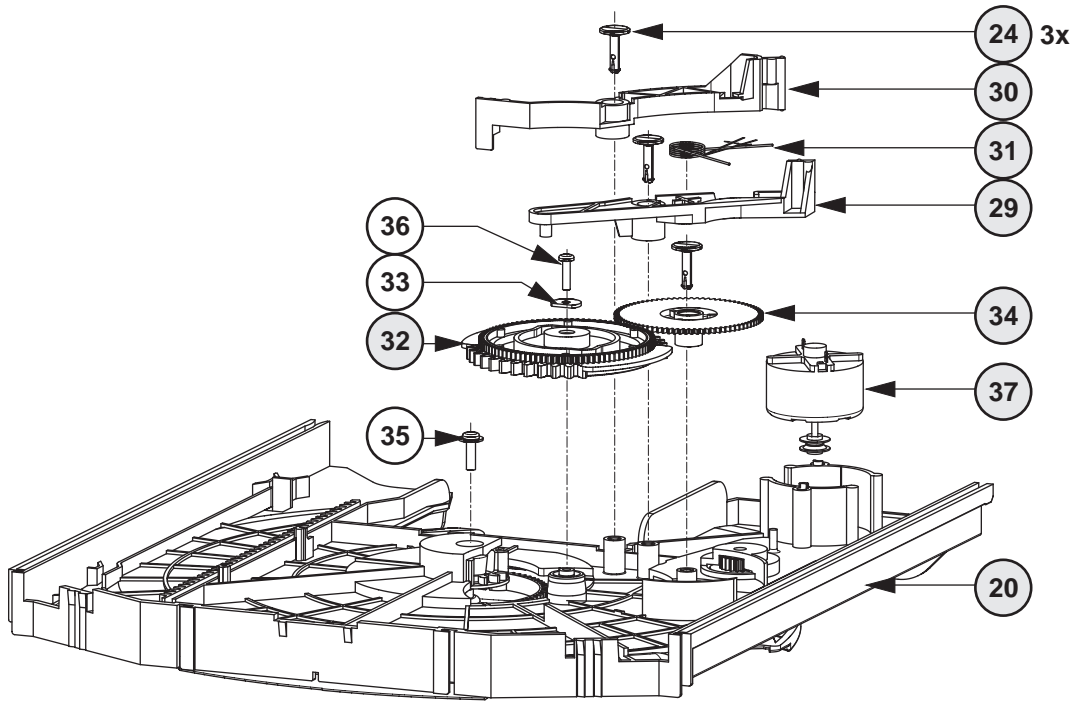
MECHANICAL PARTS Drawer → Chapter 10-11

- 20 3103 304 66500 DRAWER
- 21 3103 304 66490 CAROUSEL
- 22 3103 304 06860 PULLEY-DRAWER
- 23 3103 304 06850 ECCENTRIC GEAR WHEEL
- 24 3103 304 06980 NAIL FIXATION

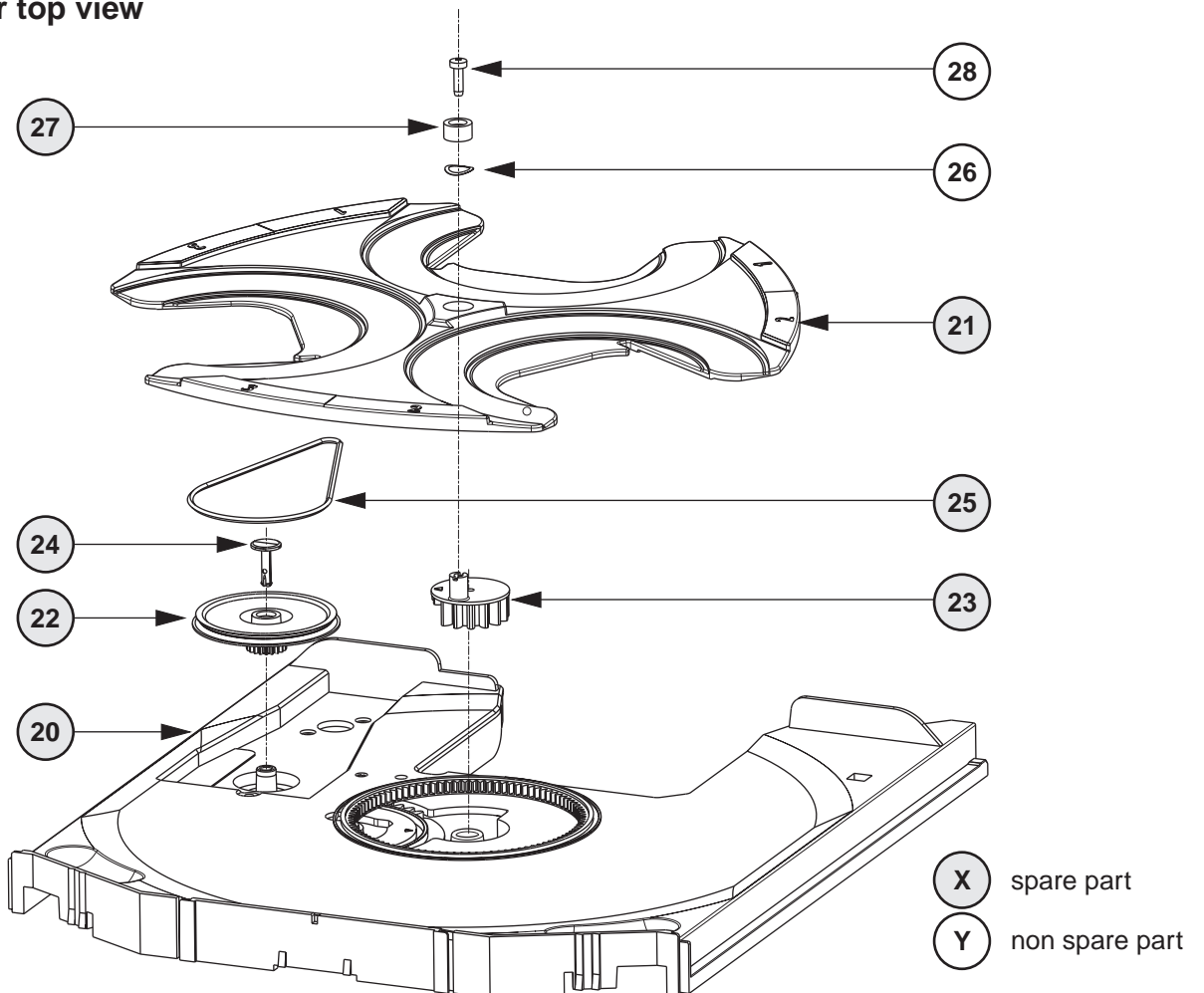
- 25 3103 304 66850 DRIVING BELT CAROUSEL
- 27 3103 304 07100 BUSH DRAWER (height=8,5mm,d=16mm)
- 27 4822 532 12365 BUSH DRAWER (height=5,5mm,d=9,4mm)
- 29 3103 304 66550 BRACKET-DISC
- 30 3103 304 66520 TUMBLER

- 31 3103 301 06470 SPRING-DISC
- 32 3103 304 06920 CONTROL-DISC
- 33 3103 304 06970 WASHER
- 34 3103 304 06870 GEAR-1
- 37 4822 361 10753 CAROUSEL MOTOR

Drawer bottom view



Drawer top view



ELECTRICAL PARTSLIST 3CDC-LC-MB-DA11 MODULE

MISCELLANEOUS

37	4822 361 10753	CARROUSEL MOTOR
55	4822 361 10753	CARROUSEL MOTOR
1800	2422 025 12133	FLEX FOIL CONNECTOR 16PIN
1805	4822 265 10979	FLEX FOIL CONNECTOR 15PIN
1805	4822 265 11545	FLEX FOIL CONNECTOR 19PIN
1875	4822 267 10958	FLEX FOIL CONNECTOR 5P
1876	2422 025 08332	FLEX FOIL CONNECTOR 5P
1880	4822 276 13503	SWITCH, Tray in endposition
1881	4822 276 13503	SWITCH, Drive up/down
1882	4822 276 13503	SWITCH, Position 1
1883	4822 276 13503	SWITCH, Position recogiced
8002	3103 308 91990	FLEX FOIL CABLE 5P, 200mm
8005	3103 308 92620	FLEX FOIL CABLE 16P, 170mm
8005	3103 308 91980	FLEX FOIL CABLE 15P, 170mm

CAPACITORS

2800	4822 126 14508	180pF	5%	50V
2801	4822 126 13883	220pF	5%	50V
2802	4822 126 14508	180pF	5%	50V
2803	4822 126 13883	220pF	5%	50V
2804	3198 024 44730	47nF	5%	50V
2805	4822 126 13883	220pF	5%	50V
2806	4822 126 13883	220pF	5%	50V
2807	4822 126 14508	180pF	5%	50V
2808	4822 126 13883	220pF	5%	50V
2809	4822 126 13883	220pF	5%	50V
2810	4822 122 31765	100pF	5%	50V
2811	4822 126 13883	220pF	5%	50V
2812	4822 126 14585	100nF	10%	50V
2813	4822 126 14585	100nF	10%	50V
2814	4822 124 40433	47µF	20%	25V
2815	4822 126 13879	220nF	20%	16V
2816	4822 126 13344	1,5nF	5%	63V
2817	4822 126 14585	100nF	10%	50V
2818	4822 126 13344	1,5nF	5%	63V
2819	4822 124 40433	47µF	20%	25V
2820	4822 124 40433	47µF	20%	25V
2821	4822 126 14585	100nF	10%	50V
2822	2222 861 15222	2,2nF	10%	50V
2823	4822 126 14225	56pF	5%	50V
2824	4822 126 13751	47nF	10%	50V
2825	5322 126 11583	10nF	10%	63V
2826	4822 124 12362	47µF	20%	4V
2828	4822 124 12362	47µF	20%	4V
2829	5322 126 11578	1nF	10%	63V
2830	4822 126 13751	47nF	10%	50V
2831	4822 122 31765	100pF	5%	50V
2832	4822 122 31765	100pF	5%	50V
2833	4822 126 11671	33pF	5%	50V
2834	4822 126 11671	33pF	5%	50V
2835	3198 024 44730	47nF	5%	50V
2836	4822 126 14585	100nF	10%	50V
2837	4822 124 40433	47µF	20%	25V
2838	4822 124 40248	10µF	20%	63V
2839	4822 126 14585	100nF	10%	50V
2840	4822 126 14585	100nF	10%	50V
2841	5322 122 31647	1nF	10%	63V
2842	4822 126 13883	220pF	5%	50V
2843	4822 126 14585	100nF	10%	50V
2844	5322 122 34099	470pF	10%	63V
2845	4822 126 14585	100nF	10%	50V

CAPACITORS

2846	4822 126 13883	220pF	5%	50V
2847	4822 126 14585	100nF	10%	50V
2848	4822 122 33753	150pF	5%	50V
2849	4822 124 40769	4,7µF	20%	100V
2850	5322 126 11578	1nF	10%	63V
2851	4822 124 42383	220µF	20%	4V
2854	4822 126 13751	47nF	10%	50V
2855	4822 126 14508	180pF	5%	50V
2856	4822 126 11669	27pF	10%	50V
2857	4822 126 13883	220pF	5%	50V
2858	4822 124 12245	220µF	20%	16V
2859	4822 126 13883	220pF	5%	50V
2860	4822 124 11947	10µF	20%	16V
2861	4822 124 11947	10µF	20%	16V
2862	4822 126 13883	220pF	5%	50V
2863	4822 126 13883	220pF	5%	50V
2864	4822 122 33761	22pF	5%	50V
2865	4822 126 14494	22nF	10%	25V
2866	4822 122 33753	150pF	5%	50V
2867	4822 126 13883	220pF	5%	50V
2868	5322 126 11578	1nF	10%	63V
2869	3198 024 44730	47nF	5%	50V
2870	4822 126 14585	100nF	10%	50V
2871	4822 126 14585	100nF	10%	50V
2872	3198 024 44730	47nF	5%	50V
2873	4822 124 40433	47µF	20%	25V
2874	4822 126 14585	100nF	10%	50V
2875	3198 017 41050	1µF	20%	10V
2876	4822 124 12245	220µF	20%	16V
2877	4822 122 33777	47pF	5%	63V
2878	4822 126 13883	220pF	5%	50V
2879	4822 126 14585	100nF	10%	50V
2880	3198 017 41050	1µF	20%	10V
2881	4822 124 40769	4,7µF	20%	100V
2882	4822 126 13883	220pF	5%	50V
2883	4822 126 14585	100nF	10%	50V
2884	4822 124 40769	4,7µF	20%	100V
2885	4822 124 40769	4,7µF	20%	100V
2887	4822 126 14585	100nF	10%	50V
2888	4822 124 40769	4,7µF	20%	100V
2891	4822 126 13883	220pF	5%	50V
2892	5322 126 10223	4,7nF	10%	63V
2893	4822 122 33575	220pF	5%	50V
2900	4822 126 14508	180pF	5%	50V

RESISTORS

3701	4822 051 30474	470kΩ	5%	0,06W
3702	4822 051 30474	470kΩ	5%	0,06W
3703	4822 117 12925	47kΩ	1%	0,06W
3704	4822 117 12925	47kΩ	1%	0,06W
3709	4822 117 10833	10kΩ	1%	0,1W
3710	4822 051 30474	470kΩ	5%	0,06W
3712	4822 051 30109	10Ω	5%	0,06W
3713	4822 051 20223	22kΩ	5%	0,1W
3714	4822 051 30103	10kΩ	5%	0,06W
3715	4822 117 13632	100kΩ	1%	0,06W
3716	4822 051 30471	470Ω	5%	0,06W
3719	4822 051 30474	470kΩ	5%	0,06W
3727	4822 051 30472	4,7kΩ	5%	0,06W
3728	4822 051 30472	4,7kΩ	5%	0,06W
3730	4822 051 20333	33kΩ	5%	0,1W

ELECTRICAL PARTSLIST 3CDC-LC-MB-DA11 MODULE

RESISTORS

3740©	4822 051 20223	22kΩ	5%	0,1W
3741©	4822 051 20223	22kΩ	5%	0,1W
3742©	4822 051 20223	22kΩ	5%	0,1W
3743©	4822 051 20223	22kΩ	5%	0,1W
3744©	4822 051 30103	10kΩ	5%	0,06W
3746©	4822 051 30103	10kΩ	5%	0,06W
3750©	4822 051 30102	1kΩ	5%	0,06W
3751©	4822 051 30102	1kΩ	5%	0,06W
3752©	4822 051 20399	39Ω	5%	0,1W
3753©	4822 117 12925	47kΩ	1%	0,06W
3754©	4822 051 30273	27kΩ	5%	0,06W
3755©	4822 051 30103	10kΩ	5%	0,06W
3756©	4822 051 30333	33kΩ	5%	0,06W
3757©	4822 051 20399	39Ω	5%	0,1W
3758©	4822 051 30103	10kΩ	5%	0,06W
3759©	4822 051 30333	33kΩ	5%	0,06W
3760©	4822 051 20399	39Ω	5%	0,1W
3761©	4822 051 30103	10kΩ	5%	0,06W
3762©	4822 051 30333	33kΩ	5%	0,06W
3763©	4822 051 30479	47Ω	5%	0,06W
3764©	4822 051 30103	10kΩ	5%	0,06W
3765©	4822 051 30333	33kΩ	5%	0,06W
3766©	4822 051 30479	47Ω	5%	0,06W
3773©	4822 051 30273	27kΩ	5%	0,06W
3775©	4822 051 30273	27kΩ	5%	0,06W
3800©	4822 051 30563	56kΩ	5%	0,06W
3801©	4822 051 30103	10kΩ	5%	0,06W
3802©	4822 117 11148	56kΩ	1%	0,1W
3803©	4822 051 30103	10kΩ	5%	0,06W
3804©	4822 051 30103	10kΩ	5%	0,06W
3805©	4822 051 30103	10kΩ	5%	0,06W
3806©	4822 051 30103	10kΩ	5%	0,06W
3807©	4822 051 30103	10kΩ	5%	0,06W
3808©	4822 051 30103	10kΩ	5%	0,06W
3809©	4822 117 13577	330Ω	1%	0,1W
3810©	4822 051 20399	39Ω	5%	0,1W
3811©	4822 117 11148	56kΩ	1%	0,1W
3812©	4822 117 12925	47kΩ	1%	0,06W
3813©	4822 051 20399	39Ω	5%	0,1W
3814©	4822 051 30339	33Ω	5%	0,06W
3815	4822 052 10478	4,7Ω	5%	NFR
3816©	4822 117 12925	47kΩ	1%	0,06W
3817	4822 052 10228	2,2Ω	5%	0,33W
3818©	4822 051 20399	39Ω	5%	0,1W
3819©	4822 051 20471	470Ω	5%	0,1W
3820©	4822 051 30682	6,8kΩ	5%	0,06W
3821©	4822 117 11507	6,8kΩ	1%	0,1W
3822©	4822 051 30682	6,8kΩ	5%	0,06W
3823©	4822 051 30102	1kΩ	5%	0,06W
3824©	4822 051 30102	1kΩ	5%	0,06W
3825©	4822 051 10102	1kΩ	2%	0,25W
3826©	4822 051 30223	22kΩ	5%	0,06W
3827©	4822 051 20273	27kΩ	5%	0,1W
3828©	4822 051 20223	22kΩ	5%	0,1W
3829©	4822 117 12925	47kΩ	1%	0,06W
3830©	4822 051 30273	27kΩ	5%	0,06W
3831©	4822 051 30101	100Ω	5%	0,06W
3832©	4822 051 30103	10kΩ	5%	0,06W
3833©	4822 051 30393	39kΩ	5%	0,06W
3834©	4822 051 20393	39kΩ	5%	0,1W

RESISTORS

3835©	4822 117 12925	47kΩ	1%	0,06W
3836©	4822 051 30273	27kΩ	5%	0,06W
3837©	4822 051 10102	1kΩ	2%	0,25W
3838©	4822 051 30102	1kΩ	5%	0,06W
3839©	4822 051 20273	27kΩ	5%	0,1W
3840©	4822 051 20273	27kΩ	5%	0,1W
3841©	4822 117 12925	47kΩ	1%	0,06W
3842©	4822 117 10833	10kΩ	1%	0,1W
3843©	4822 117 12955	2,7kΩ	1%	0,1W
3844©	4822 117 12024	27kΩ	1%	0,1W
3845©	4822 117 10833	10kΩ	1%	0,1W
3846©	4822 117 12955	2,7kΩ	1%	0,1W
3847©	4822 051 20399	39Ω	5%	0,1W
3848©	4822 117 10965	18kΩ	2%	0,1W
3849©	4822 051 30183	18kΩ	5%	0,06W
3850©	4822 051 20399	39Ω	5%	0,1W
3851	4822 052 10228	2,2Ω	5%	0,33W
3852	4822 052 10228	2,2Ω	5%	0,33W
3853©	4822 051 30471	470Ω	5%	0,06W
3854©	4822 051 30101	100Ω	5%	0,06W
3855©	4822 051 30101	100Ω	5%	0,06W
3856©	4822 117 12521	68Ω	1%	0,1W
3857©	4822 117 12521	68Ω	1%	0,1W
3858©	4822 051 30223	22kΩ	5%	0,06W
3859©	4822 051 20223	22kΩ	5%	0,1W
3860©	4822 117 10833	10kΩ	1%	0,1W
3861©	4822 051 30103	10kΩ	5%	0,06W
3862©	4822 051 20121	120Ω	5%	0,1W
3863©	4822 051 20101	100Ω	5%	0,1W
3863©	4822 051 20339	33Ω	5%	0,1W
3864©	4822 051 20101	100Ω	5%	0,1W
3865	4822 052 10228	2,2Ω	5%	0,33W
3866©	4822 051 30103	10kΩ	5%	0,06W
3867©	4822 051 30121	120Ω	5%	0,06W
3869©	4822 117 13608	4,7Ω	5%	0,06W
3870©	4822 051 30101	100Ω	5%	0,06W
3871©	4822 051 30103	10kΩ	5%	0,06W
3873©	4822 051 20471	470Ω	5%	0,1W
3875©	4822 051 30103	10kΩ	5%	0,06W
3876©	4822 117 13632	100kΩ	1%	0,06W
3877©	4822 051 30103	10kΩ	5%	0,06W
3878©	4822 051 30103	10kΩ	5%	0,06W
3879©	4822 051 30273	27kΩ	5%	0,06W
3880©	4822 051 30474	470kΩ	5%	0,06W
3881©	4822 051 30273	27kΩ	5%	0,06W
3882©	4822 051 30474	470kΩ	5%	0,06W
3883©	4822 051 20273	27kΩ	5%	0,1W
3884©	4822 051 30474	470kΩ	5%	0,06W
3885©	4822 051 20273	27kΩ	5%	0,1W
3886©	4822 051 30474	470kΩ	5%	0,06W
3887©	4822 051 30221	220Ω	5%	0,06W
3888©	4822 117 10833	10kΩ	1%	0,1W
3889©	4822 051 20471	470Ω	5%	0,1W
3890©	4822 051 30102	1kΩ	5%	0,06W
3891©	4822 051 30102	1kΩ	5%	0,06W
3892©	4822 051 20471	470Ω	5%	0,1W
3893©	4822 051 30471	470Ω	5%	0,06W
3894©	4822 051 30101	100Ω	5%	0,06W
3895©	4822 117 12971	15Ω	5%	0,06W
3896	4822 052 10228	2,2Ω	5%	0,33W

ELECTRICAL PARTSLIST 3CDC-LC-MB-DA11 MODULE**RESISTORS**

3897	4822 051 20101	100Ω	5%	0,1W
3898	4822 117 11503	220Ω	5%	0,1W
3899	4822 051 30101	100Ω	5%	0,06W
3900	4822 117 11148	56kΩ	1%	0,1W
3901	4822 051 30682	6,8kΩ	5%	0,06W

4800	4822 051 20008	CHIP JUMPER 0805
4801	4822 051 20008	CHIP JUMPER 0805
4802	4822 051 20008	CHIP JUMPER 0805
4804	4822 051 20008	CHIP JUMPER 0805
4805	4822 051 30008	CHIP JUMPER 0603

4806	4822 051 20008	CHIP JUMPER 0805
4807	4822 051 20008	CHIP JUMPER 0805
4808	4822 051 20008	CHIP JUMPER 0805
4809	4822 051 20008	CHIP JUMPER 0805
4810	4822 051 20008	CHIP JUMPER 0805

4812	4822 051 20008	CHIP JUMPER 0805
4814	4822 051 20008	CHIP JUMPER 0805
4815	4822 051 20008	CHIP JUMPER 0805
4816	4822 051 20008	CHIP JUMPER 0805
4817	4822 051 30008	CHIP JUMPER 0603

4818	4822 051 20008	CHIP JUMPER 0805
4819	4822 051 20008	CHIP JUMPER 0805
4820	4822 051 20008	CHIP JUMPER 0805
4821	4822 051 20008	CHIP JUMPER 0805
4822	4822 051 20008	CHIP JUMPER 0805

4823	4822 051 20008	CHIP JUMPER 0805
4824	4822 051 20008	CHIP JUMPER 0805
4825	4822 051 30008	CHIP JUMPER 0603
4826	4822 051 20008	CHIP JUMPER 0805
4827	4822 051 30008	CHIP JUMPER 0603

4828	4822 051 20008	CHIP JUMPER 0805
4831	4822 051 20008	CHIP JUMPER 0805
4832	4822 051 30008	CHIP JUMPER 0603
4834	4822 051 30008	CHIP JUMPER 0603
4835	4822 051 30008	CHIP JUMPER 0603

4836	4822 051 20008	CHIP JUMPER 0805
4838	4822 051 20008	CHIP JUMPER 0805
4840	4822 051 20008	CHIP JUMPER 0805
4841	4822 051 20008	CHIP JUMPER 0805
4842	4822 051 20008	CHIP JUMPER 0805

4843	4822 051 20008	CHIP JUMPER 0805
4844	4822 051 20008	CHIP JUMPER 0805
4845	4822 051 20008	CHIP JUMPER 0805
4846	4822 051 30008	CHIP JUMPER 0603
4847	4822 051 20008	CHIP JUMPER 0805

4849	4822 051 30008	CHIP JUMPER 0603
4856	4822 051 20008	CHIP JUMPER 0805
4857	4822 051 20008	CHIP JUMPER 0805
4858	4822 051 20008	CHIP JUMPER 0805
4859	4822 051 30008	CHIP JUMPER 0603

4860	4822 051 30008	CHIP JUMPER 0603
4861	4822 051 20008	CHIP JUMPER 0805
4862	4822 051 30008	CHIP JUMPER 0603
4863	4822 051 30008	CHIP JUMPER 0603
4864	4822 051 20008	CHIP JUMPER 0805

4865	4822 051 20008	CHIP JUMPER 0805
4867	4822 051 20008	CHIP JUMPER 0805
4868	4822 051 20008	CHIP JUMPER 0805
4869	4822 051 20008	CHIP JUMPER 0805
4870	4822 051 20008	CHIP JUMPER 0805

RESISTORS

4876	4822 051 20008	CHIP JUMPER 0805
4879	4822 051 20008	CHIP JUMPER 0805
4884	4822 051 20008	CHIP JUMPER 0805
4885	4822 051 20008	CHIP JUMPER 0805
4886	4822 051 20008	CHIP JUMPER 0805

4887	4822 051 20008	CHIP JUMPER 0805
4890	4822 051 20008	CHIP JUMPER 0805
4893	4822 051 20008	CHIP JUMPER 0805
4894	4822 051 20008	CHIP JUMPER 0805
4896	4822 051 30008	CHIP JUMPER 0603

4897	4822 051 20008	CHIP JUMPER 0805
------	----------------	------------------

COILS

1810	2422 543 01068	RESONATOR 8MHZ
1810	4822 242 73557	CERAMIC RES. 8,46MHZ
5802	4822 157 70601	100μH

DIODES

6871	4822 130 11397	BAS316
6872	4822 130 11397	BAS316
6873	4822 130 11397	BAS316
6874	4822 130 11397	BAS316
6875	9340 548 52115	BZX284-C5V1

6877	9322 129 34685	BZX284-C3V9
6878	4822 130 11397	BAS316
6879	9322 129 34685	BZX284-C3V9

TRANSISTORS

7812	5322 130 60159	BC846B
7874	5322 130 60159	BC846B
7875	5322 130 60159	BC846B

INTEGRATED CIRCUITS

7801	9352 622 36118	TZA1025T/V2, HF-Amplifier
7805	4822 209 33165	TDA1308T/N1, OPAMP
7806	4822 209 62059	TCA0372DP1, Motor driver
7807	4822 209 62059	TCA0372DP1, Motor driver
7808	4822 209 62059	TCA0372DP1, Motor driver
7821	4822 209 62059	TCA0372DP1, Motor driver
7822	4822 209 62059	TCA0372DP1, Motor driver
7873	5322 209 11306	HEF4094BT, Shift register
7877	9352 642 17557	SAA7325H/M2B Signal processor CD10